



1000 SERIES DEADBOLT SMART LOCK

Installation and User Guide

ENGLISH

Parts in the box

Latch 	Interior Assembly 	Exterior Assembly 
Mounting Plate 	For Latch / Strike Strike  03809 	For Lock 52242 
Batteries 	Reinforcement Plate 53082 	52241 

Required tools

Ruler  
Phillips and flat head screwdriver

Kwikset  
Technical Support  
1-800-327-5625  
www.kwikset.com

1 Prepare the door and check dimensions

If drilling a new door, use the supplied template and the complete door drilling instructions available at [www.kwikset.com/doorprep](http://www.kwikset.com/doorprep).

**A** Measure to confirm that the hole in the door is either 2-1/8 in (54 mm) or 1-1/2 in (38 mm).

**B** Measure to confirm that the backset is either 2-3/8 or 2-3/4 in (60 or 70 mm).

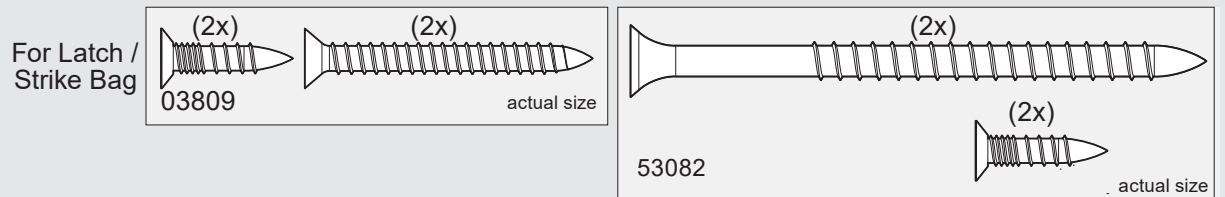
**C** Measure to confirm that the hole in the door edge is 1 in (25 mm).

**D** Measure to confirm that the door is between 1-3/8 and 1-3/4 in (35 mm and 44 mm) thick.

Note: Additional door preparation may be required for doors with 1-1/2 in (38 mm) holes. Consult the deadbolt drilling instructions at [www.kwikset.com/doorprep](http://www.kwikset.com/doorprep).

Note: Please contact customer service if door thickness exceeds 1-3/4 in for a thick door kit.

2 Install the latch and strike



**A** Hold the latch in front of the door hole, with the latch face flush against the door edge.

**B** Is the rectangular shaped hole centered in the door hole?

YES: Rectangular shaped hole. No adjustment is required. Proceed to next step.

NO: Rectangular shaped hole. Rotate latch face as shown to extend latch.

**C** Is the door edge chiselled with round or square corners?

Round Corner: Proceed to next step.

Square Corner: Remove round face with a flat head screwdriver and use square face in instruction 2-D.

**D** Which latch face are you installing?

Round Corner: UP is on top. 03809 (2x) (For Latch/Strike Bag)

Square Corner: UP is on top. 03809 (2x) (For Latch/Strike Bag)

\*Use longer screws if holes are worn out. You will have two extra screws.

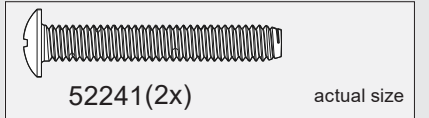
**E** Install strike on the door frame.

⚠ Make sure the hole in the door frame is drilled a minimum of 1 in (25 mm) deep.

Longer screws install closest to the door jamb. 53082 (4x) (For Latch/Strike Bag) reinforcement plate door frame

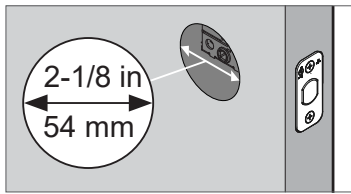
### 3 Install the exterior assembly

For Lock Bag

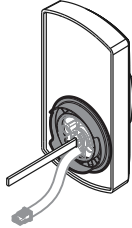


A What is the diameter of the hole in the door?

Diameter is 2 -1/8 in  
(54 mm)

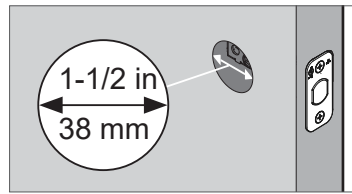


Adapter ring is required for installation.

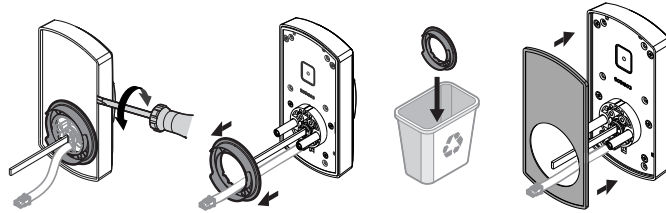


or

Diameter is 1-1/2 in  
(38 mm)

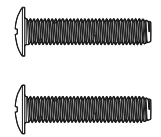


Adapter ring is not needed for installation. Use a flathead screwdriver to loosen the rubber gasket. Once rubber gasket is removed, take the adapter ring off, throw away, and place the rubber gasket back on the interior assembly.



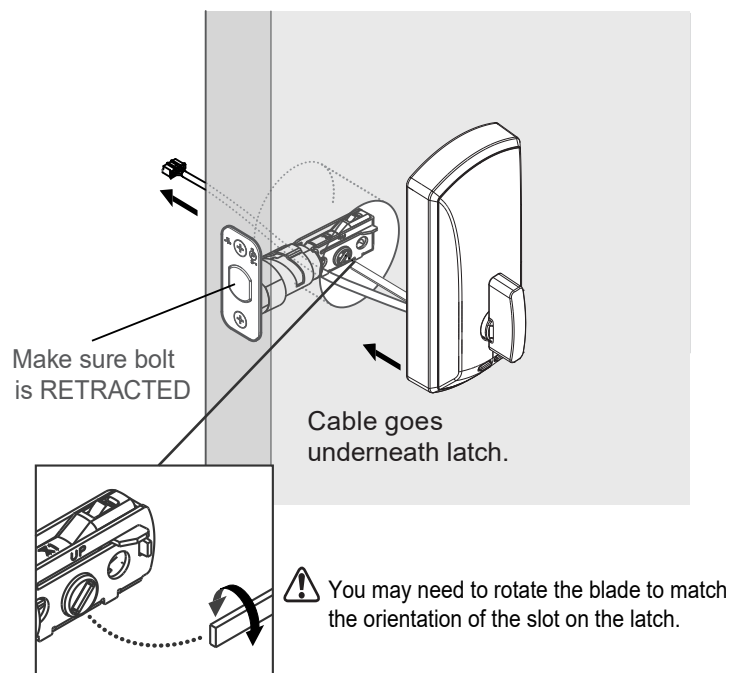
B Locate screws for step 3C(c) and keep them within reach.

52241  
(2x)  
(For Lock Bag)

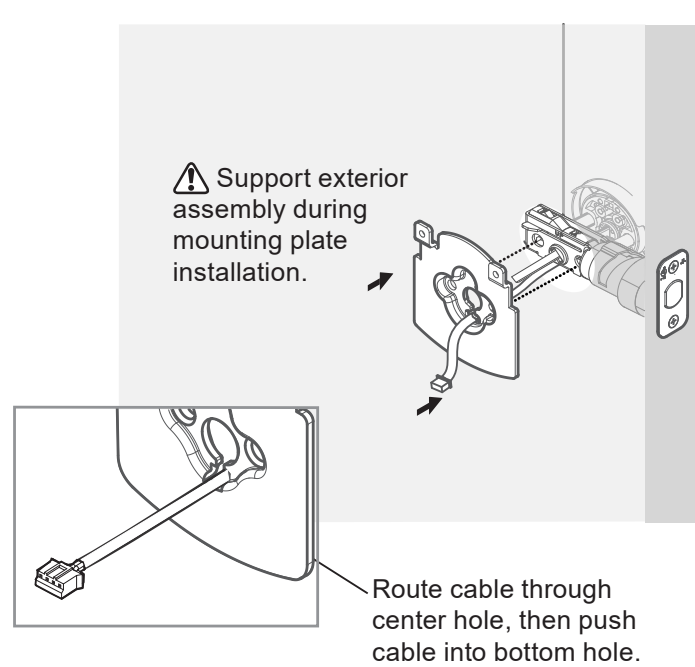


C Install exterior assembly.

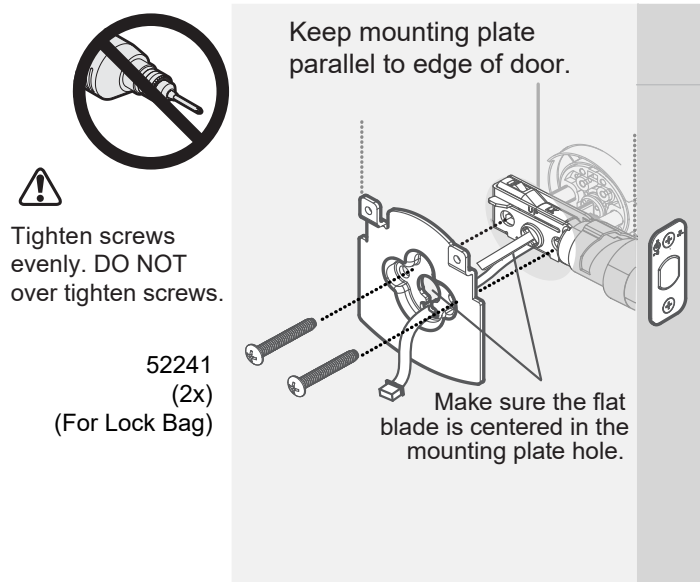
a Install exterior assembly. Route cable underneath the latch bolt.



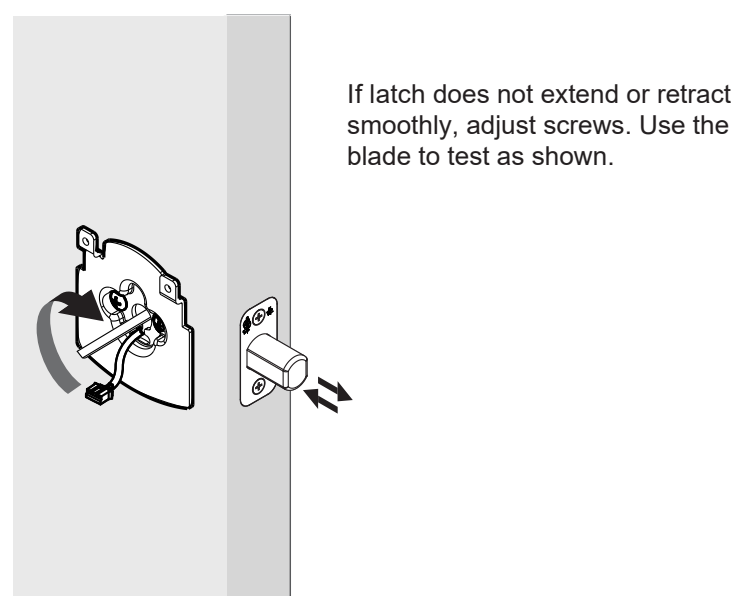
b Install mounting plate.



c



d



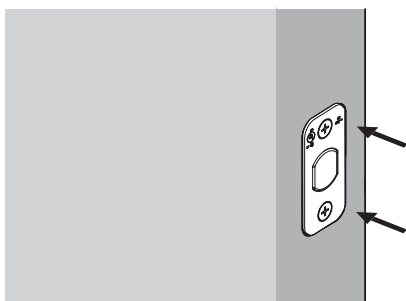
## 4 Install the interior assembly

For Lock Bag

52242 (2x)  
actual size

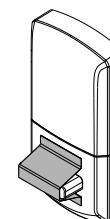
### A Remove interior cover from interior assembly.

- a** Check to make sure the latch bolt is in the retracted/unlocked position to install the interior assembly.

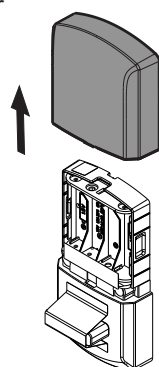


- b** DO NOT REMOVE THE LABEL ON THE TURNPIECE

**!** If the turnpiece is not in a horizontal position when the bolt is retracted, locking and unlocking could be reversed, resulting in an unsecured residence.



- c** Remove the interior cover from the interior assembly.



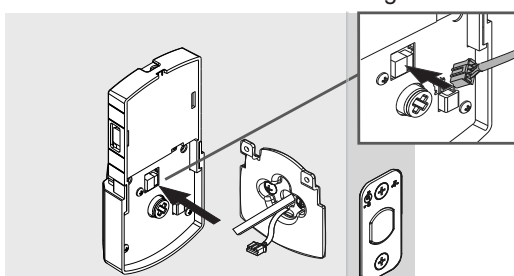
- d**



Do not install batteries until step 5.

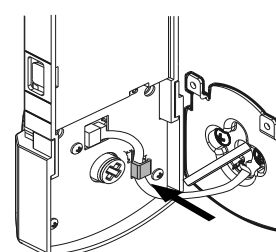
### B Install interior assembly onto mounting plate.

- a** Connect cable wire as shown. Ensure tight cable connection.

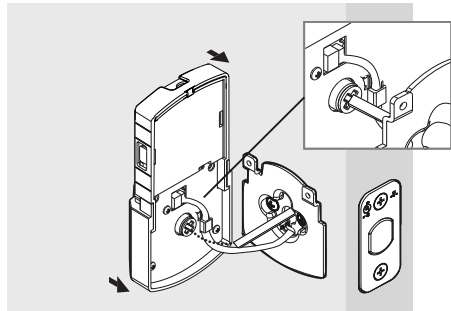


**!** Ensure the red color on the connector is on the right side and connects to the red color on the interior assembly.

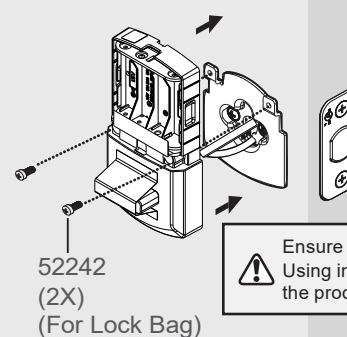
- b** Route excess cable around the side notch and bottom of the interior assembly.



- c** Insert the flat blade into the turnpiece shaft.



- d**



52242 (2X)  
(For Lock Bag)

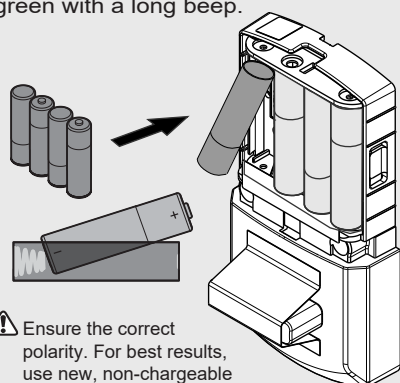
**!** Ensure you are using the correct screws. Using incorrect screws will damage the product.

## 5 Install the batteries in the interior assembly

### A Install 4 AA batteries in interior assembly

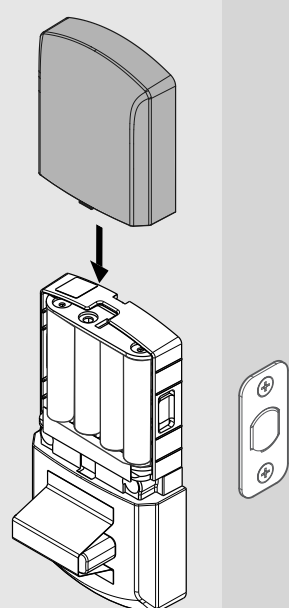
Ensure the interior cover is off to install batteries.

Note: Before installing batteries, ensure there is no obstruction within 2" (51 mm) of the exterior lock screen, and credential is not presented in front of the lock screen until AFTER the Status LED Light flashes green with a long beep.



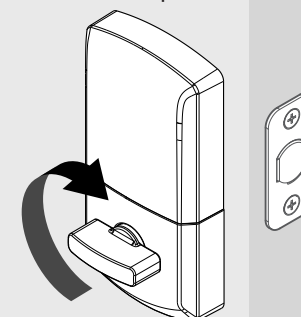
**!** Ensure the correct polarity. For best results, use new, non-chargeable alkaline batteries only.

### B Install interior cover for the interior assembly.



### C Test the lock.

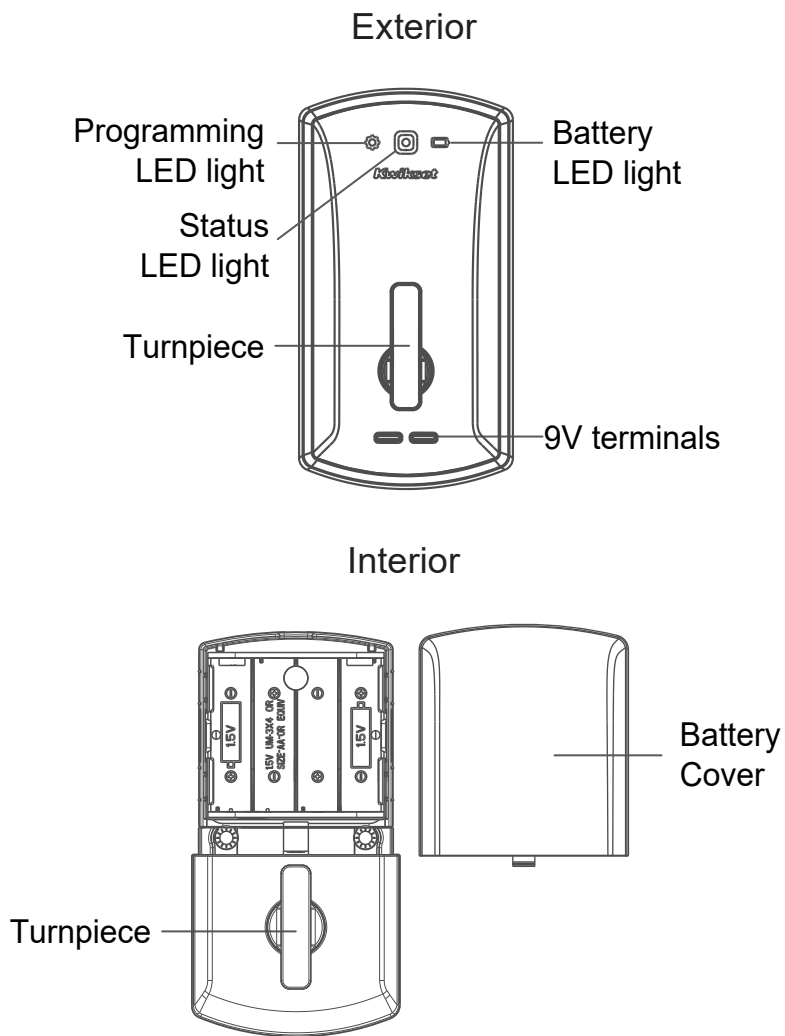
Remove the label from the turnpiece to test the lock. Extend and retract the bolt by turning the internal turnpiece.



**!** Once interior turnpiece is rotated back to the horizontal position, the exterior turnpiece will be enabled or active for 5 seconds. Door MUST remain open to avoid accidental lockout.

## Reference Guide

### Unite at a Glance



### System Alerts

Operation	Lights	Beep
Access Granted	Status flashes GREEN 3x	1 Beep
Access Denied	Flashes RED 3x	3 Beeps
Low battery life - Access Granted	Battery LED flashes RED 3x after Access Granted	1 Long Beep then 3 Short Beeps
Power on - Full Battery Life	Solid GREEN 3s	1 Long Beep
Power on - Moderate Battery Life	Status Solid GREEN and battery LED YELLOW/GREEN	1 Long Beep
Power on - Low Battery Life	Status Solid GREEN and battery LED light RED 3s, then battery LED flashes RED 3x	1 Long Beep then 3 Short Beeps
Access Window Expired	Status Solid RED for 1.5s	No Beep

### Programming your Lock

Operation	Lights	Beep	Action
Enrollment	Flashes BLUE	No Beep	BLE pairing start
	Solid GREEN 3s	1 Long Beep	Pairing complete
	Flashes RED 3x	3 Beeps	BLE pairing/ fail or timeout
Firmware Upgrade	Flashes BLUE	No Beep	Update start
	Solid GREEN 3s	1 Long Beep	Update complete
	Flashes RED 3x	3 Beeps	Update pairing/ fail or timeout

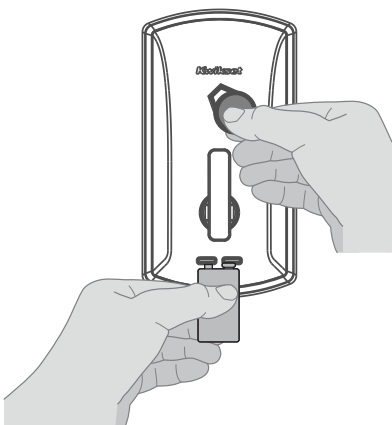
### Manual Factory reset

1. Insert battery to power up the lock.
2. Status LED light displays GREEN 3s. Rotate the interior turnpiece back and forth to extend and retract bolt 3x within 5s.
3. Wait for programming LED light to alternate BLUE and RED continuously.
4. Within 10s, rotate the interior turnpiece back and forth 3x.
5. Successful manual factory reset will be indicated by programming LED light displaying solid Green for 3s, accompanied by an audible beep.
6. Fail/ Time out all LED lights will remain off.

### Low Battery

If the 4 AA batteries are too low to operate the lock, use a 9-Volt alkaline battery to temporarily power the lock. Make sure both terminals on the 9-Volt battery touch the terminals below the lock turnpiece. Hold the 9-Volt in place and ensure there is no obstruction within 2" (51 mm) of the exterior lock screen, and then only present credential AFTER the Status LED Light flashes green with a long beep. Continue to hold the 9-Volt battery as well as the credential until the lock illuminates and unlocks.

**⚠ WARNING:** Change batteries immediately otherwise the lock will remain unlocked.



### Important Safeguards

1. Read all instructions in their entirety.
2. Familiarize yourself with all warning and caution statements.
3. Remind all family members of safety precautions.
4. Always have access to your lock's credentials.
5. Familiarize yourself with all status LED lights notifications.
6. Replace low batteries immediately.
7. Dispose of used batteries according to local laws and regulations.

**⚠ WARNING:** This Manufacturer advises that no lock can provide complete security by itself. This lock may be defeated by forcible or technical means, or evaded by entry elsewhere on the property. No lock can substitute for caution, awareness of your environment, and common sense. Builder's hardware is available in multiple performance grades to suit the application. In order to enhance security and reduce risk, you should consult a qualified locksmith or other security professional.

### Regulatory Compliance

This product complies with standards established by the following regulatory bodies:

- Federal Communications Commission (FCC)
- Industry Canada

#### FCC

This device complies with Part 15 of the FCC Rules. Operation is subject to the following two conditions: (1) this device may not cause harmful interference, and (2) this device must accept any interference received, including interference that may cause undesired operation. This equipment has been tested and found to comply with the limits for a Class B digital device, pursuant to Part 15 of the FCC Rules. These limits are designed to provide reasonable protection against harmful interference in a

residential installation. This equipment generates, uses, and can radiate radio frequency energy and, if not installed and used in accordance with the instructions, may cause harmful interference to radio communications. However, there is no guarantee that interference will not occur in a particular installation. If this equipment does cause harmful interference to radio or television reception, which can be determined by turning the equipment off and on, the user is encouraged to try to correct the interference by one or more of the following measures:

- Reorient or relocate the receiving antenna.
- Increase the separation between the equipment and receiver.

- Connect the equipment into an outlet on a circuit different from that to which the receiver is connected.

- Consult the dealer or an experienced radio/TV technician for help.

**IMPORTANT!** Changes or modifications not expressly approved by the manufacturer could void the user's authority to operate the equipment.

#### Industry Canada

This device contains licence-exempt transmitter(s)/receiver(s) that comply with Innovation, Science and Economic Development Canada's licence-exempt RSS(s). Operation is subject to the following two conditions: (1) This device must not cause interference. (2) This device must accept any interference, including interference that may cause undesired operation of the device.

FCC ID: NUL-UNT1  
IC: 3022A-UNT1