

This manual can be used to install a variety of deadbolts.

***Tools**

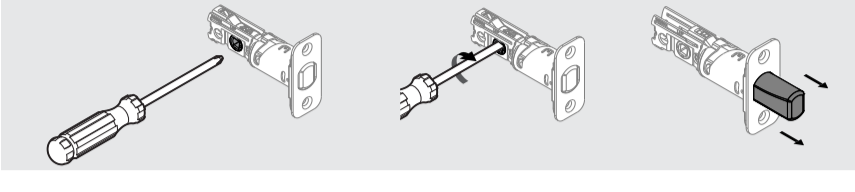
*Tools will depend on install type

For Deadbolts Models
(158, 159, 780, 785, 980, 985)

Latch

[Scroll to the bottom if you need help in preparing your door](#)

1 Extend latch bolt



2 Adjust the backset of the latch (if needed)

A Hold the latch in front of the door hole, with the latch face flush against the door edge.

B If the latch holes are centered in the door hole, no adjustment is required. Proceed to step 9.
If the D-shaped hole is NOT centered, adjust latch. See "Latch Adjustment" (step 8C).

centered

not centered

C Latch Adjustment (only if needed)

180° Rotate the front of the latch to extend it.

3 Prepare latch

Door edge chiseled

Install plate.

or

Door edge NOT chiseled

Install collar.

Once assembled, pull plate to test for tight fit.

Once assembled, pull collar to test for tight fit.

4 Install latch

Door edge chiseled

Install latch.

Retract latch bolt.

Install latch.

wood block

Extend latch bolt.

Door edge NOT chiseled

Retract latch bolt.

Install latch.

wood block

Extend latch bolt.

5 Install deadbolt

A Remove cover plate from interior cylinder (For double cylinders only).

Remove interior cylinder.

Interior cylinder has holes.

Pull paper tab to remove cover plate.

cover plate

Reinstall cylinder. Do not reinstall cover plate.

B Install deadbolt exterior.

Not available with all models

exterior

Rotate torque blade to align with D-shaped hole.

C Install deadbolt interior. (Ring adapter available with some models)

The cylinder with holes should be installed on the interior side of the door.

interior

or

Insert interior torque blade into exterior torque blade.

6 Install strike on door frame

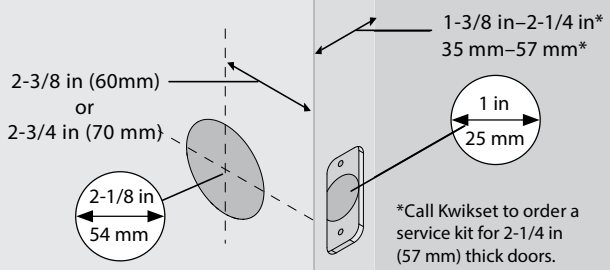
A

Make sure hole in door frame is drilled a minimum of 1 in (25mm) deep.

B Longer screws install closest to jamb.

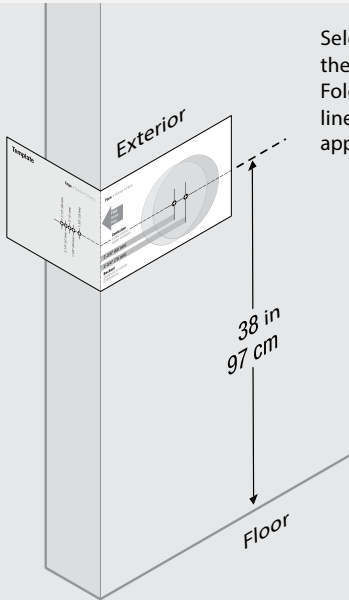
Preparing Your Door

For consumers requiring the door prep template, please visit: [Drilling instructions](#)



Use template to mark holes on door

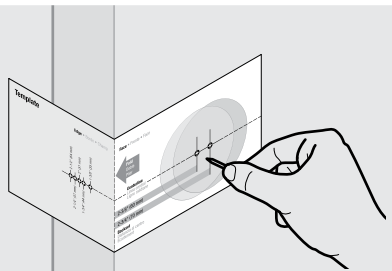
A



Select the template that allows you to place the template on the EXTERIOR side of door. Fold template along fold line and place fold line along the edge of door. Place centerline approximately 38 in (97 cm) from the floor.

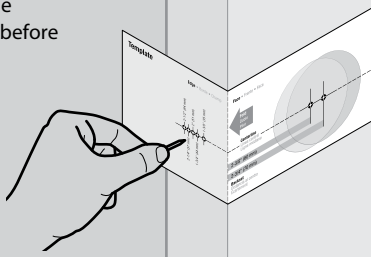
B

Mark hole on the face of the door. Select desired backset before marking hole. If there is another hole in the door, or if you are drilling double doors, make sure to keep the backset consistent.



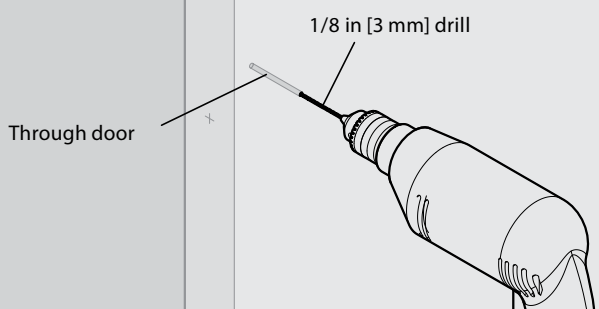
C

Mark hole on the edge of the door. Select door thickness before marking hole.

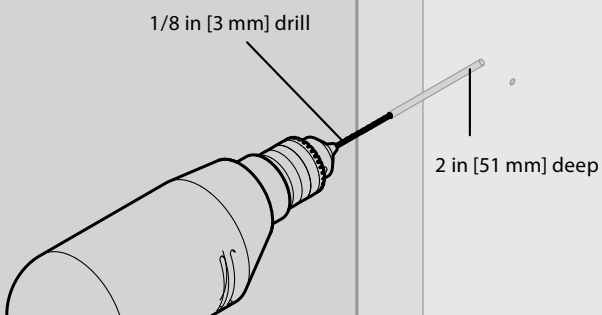


Drill holes in door

A

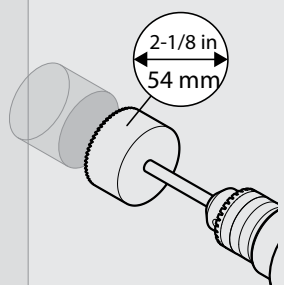


B

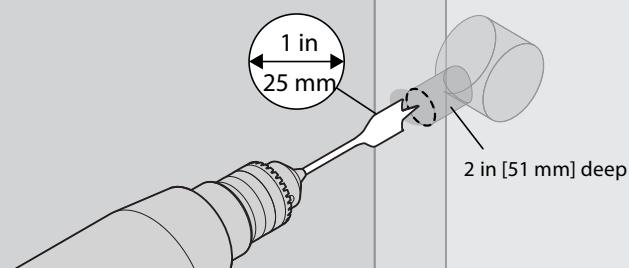


C

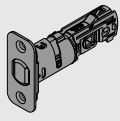
Drill from one side until the point of drill just breaks through, then complete hole from the other side to prevent splintering.



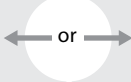
D



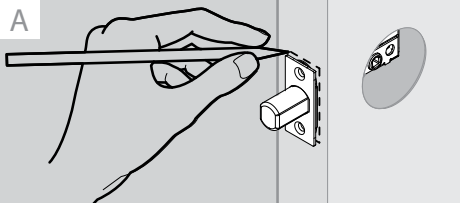
Determine which latch will be installed and prepare door edge



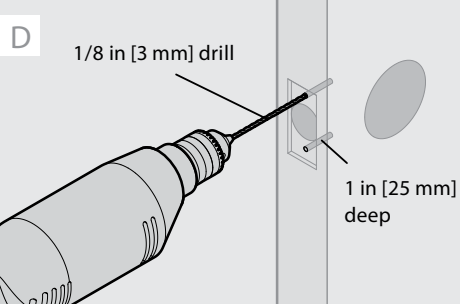
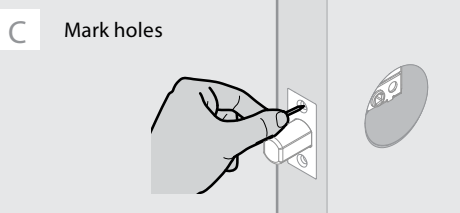
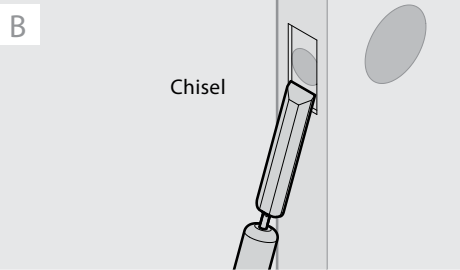
Latch with rectangular faceplate



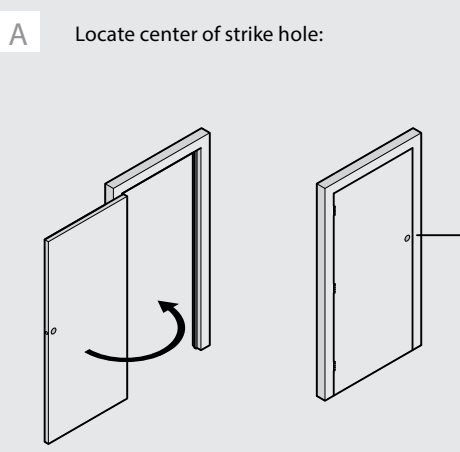
Latch with drive-in collar



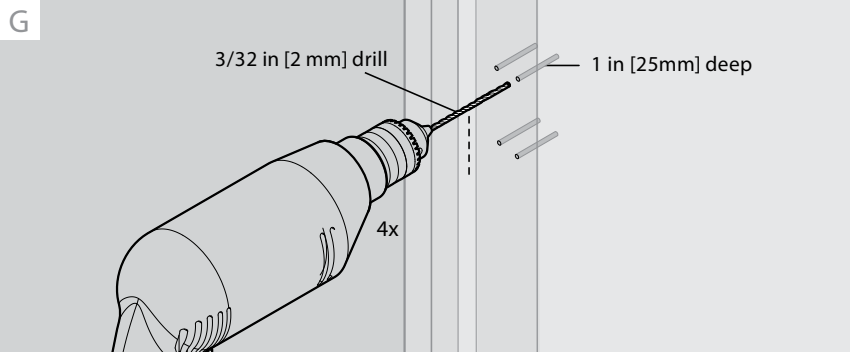
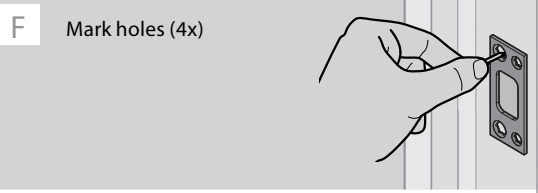
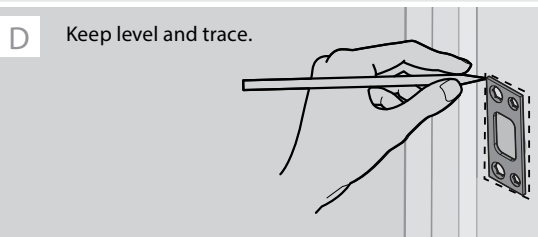
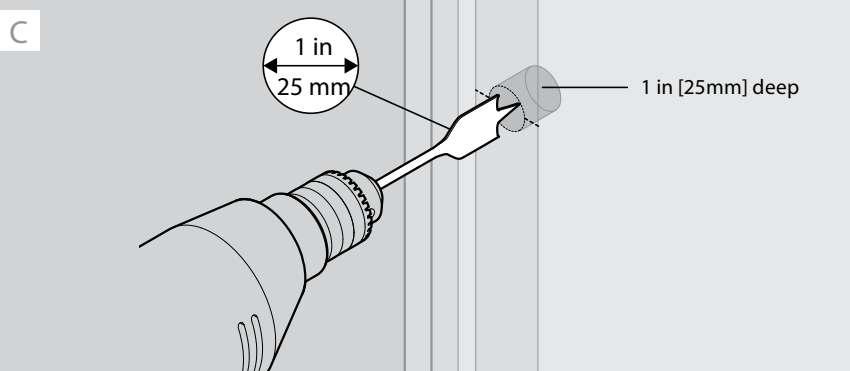
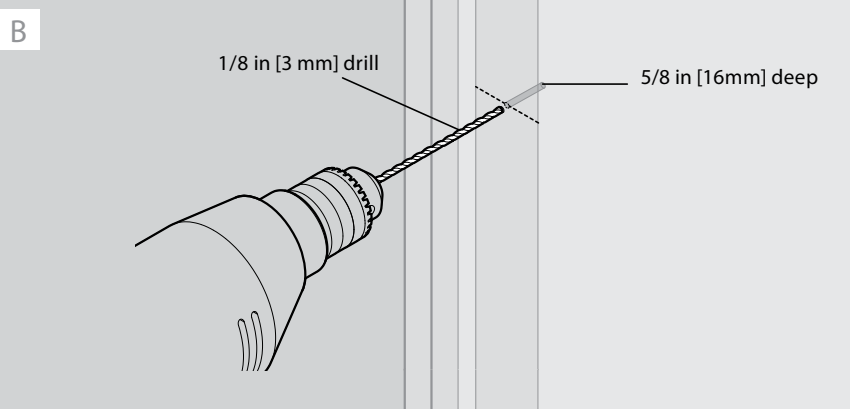
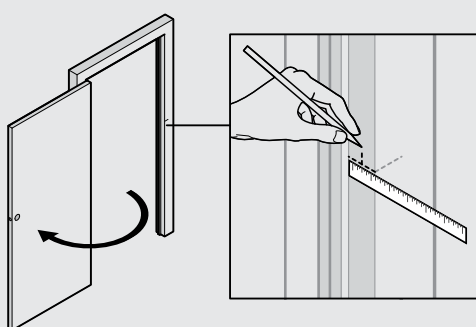
Proceed to Next Step.



Prepare door frame for strike



Measure back from door stop, 1/2 thickness of door.



Register your product at www.kwikset.com/productregistration
Rate your product at www.kwikset.com/reviews

⚠ WARNING: This Manufacturer advises that no lock can provide complete security by itself. This lock may be defeated by forcible, or technical means, or evaded by entry elsewhere on the property. No lock can substitute for caution, awareness of your environment, and common sense. Builder's hardware is available in multiple performance grades to suit the application. In order to enhance security and reduce risk, you should consult a qualified locksmith or other security professional.